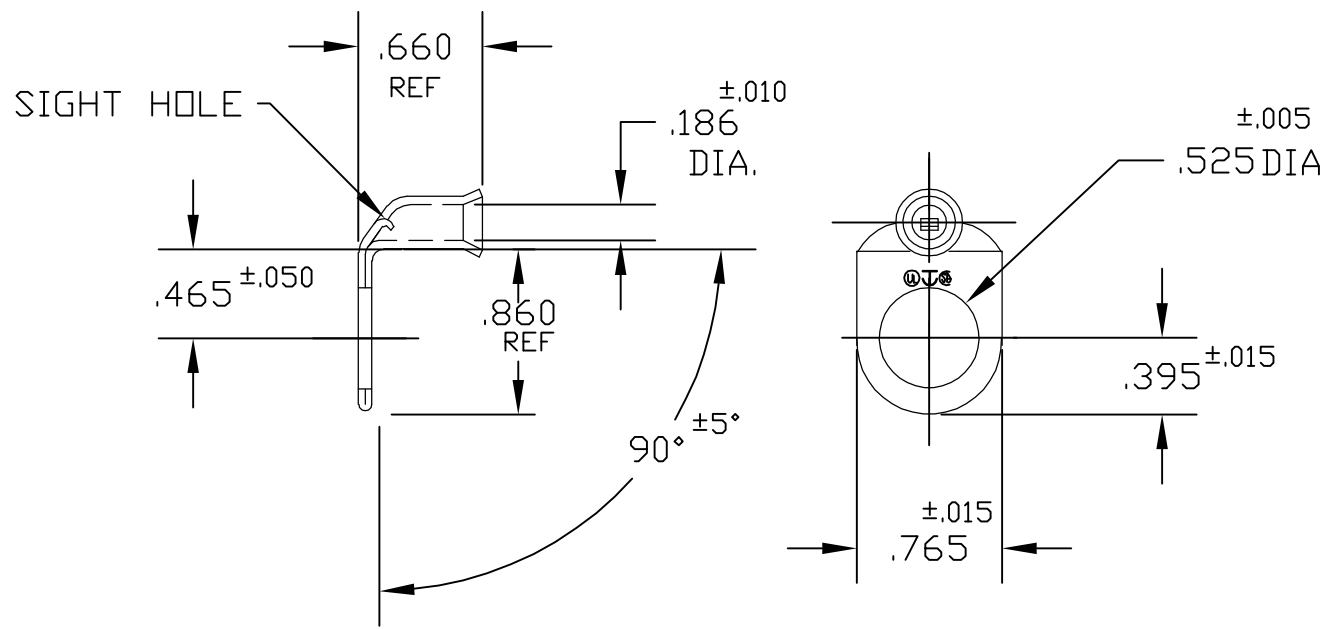


THIS DRAWING IS UNPUBLISHED. RELEASED FOR PUBLICATION
 © COPYRIGHT - BY TYCO ELECTRONICS CORPORATION. ALL RIGHTS RESERVED.

LOC	DIST	REVISIONS					
		P	LTR	DESCRIPTION	DATE	DWN	APVD
G	50		B1	REV PER ECR 06-008180	05APR06	JR	DD



ACTIVE	8503-11-90	STANDARD	TIN PLATE	1526159-2
ACTIVE	8503-10-90	STANDARD	PLAIN	1526159-1
STATUS	AET P/N	PACKAGING	FINISH	PART NUMBER

THIS DRAWING IS A CONTROLLED DOCUMENT.		DWN D.A.A 11/1/00	Tyco Electronics Corporation Harrisburg, PA 17105-3608		
DIMENSIONS: INCHES		CHK H.D.F 11/1/00			
		APVD H.D.F 11/1/00	NAME 8 STANDARD TERMINAL W/SIGHT HOLE & 90° BEND		
TOLERANCES UNLESS OTHERWISE SPECIFIED:		PRODUCT SPEC	RESTRICTED TO		
0 PLC ± -		APPLICATION SPEC	SIZE	CAGE CODE	DRAWING NO
1 PLC ± -		—	A3	00779	C-1526159
2 PLC ± -		—	SCALE 1:1 SHEET 1 OF 1 REV B1		
3 PLC ± -		—			
4 PLC ± -		—			
ANGLES ± -		—			
FINISH		WEIGHT			
COPPER ASTM B-152		—	CUSTOMER DRAWING		